



## Drive Technology

### **Benefits using Thomson as your screw jack and motor supplier**

- Optimum price versus performance ratio.
- System application, screw jack and drive all perfectly matched from a single source.
- No hidden costs.
- One competent partner from start to finish.



## Drive Technology

### 3-phase motors DRS / DRE

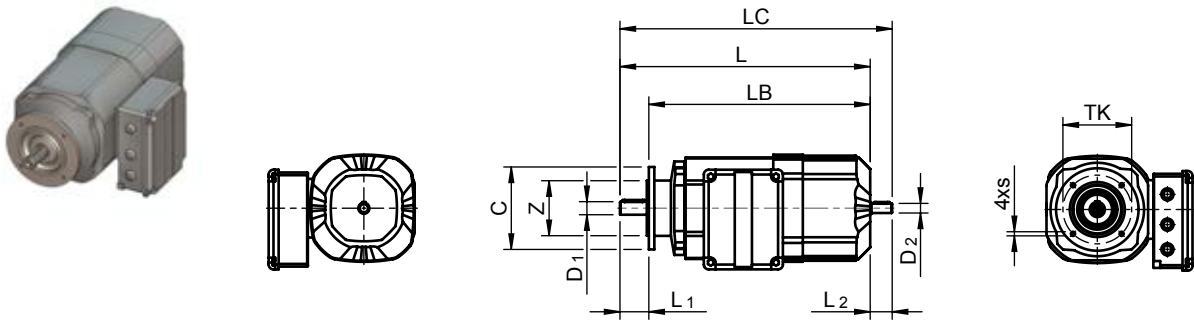
3-phase 4-pole motors (1500 RPM) in totally enclosed fan-cooled designs in accordance with VDE 0530 Part 1.

Standard protection class: IP54. Temperature class B.

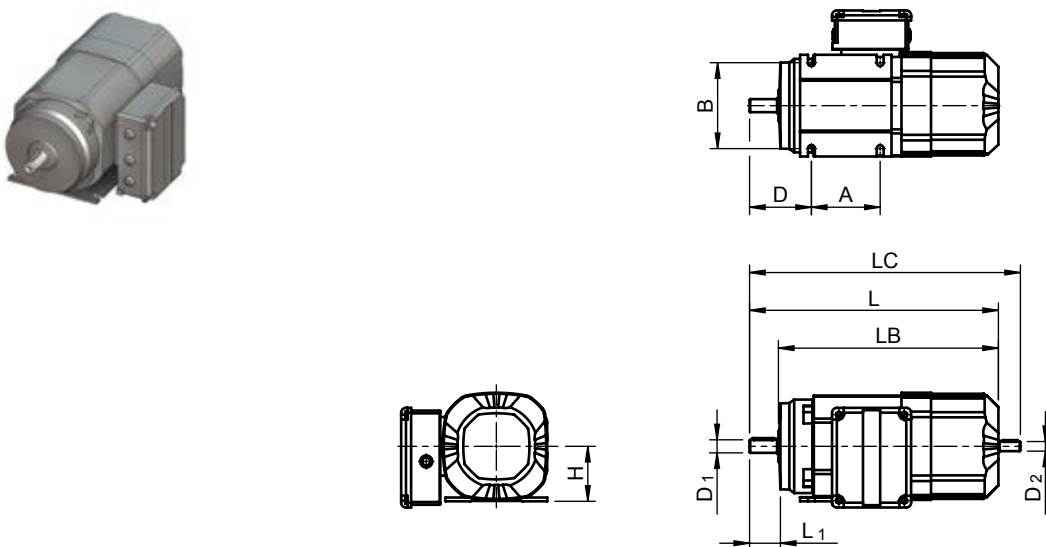
Notes: If the free shaft end of the motor is used as shaft for a slip-on emergency hand wheel, a device will be required which interrupts the power supply before the crank engages.

Motors with different speeds, other protection class, etc. upon request.

#### With flange mount - type FF, FL - B5/FT - B14



#### With foot mount - type FI - B3



## Drive Technology

### 3-phase motors DRS / DRE

Specifications							
Size <sup>2)</sup>	Nominal torque M <sub>0</sub> [Nm]	Capacity P <sub>N</sub> [Nm]	Nominal speed n <sub>M</sub> [RPM]	Brake torque M <sub>BR</sub> [Nm]	Nominal current I <sub>N</sub> 400 V [A]	Weight <sup>1)</sup> [kg]	Type <sup>2)</sup>
DRS71S4	2.55	0.37	1380	5	1.14	10.2 (7.8)	B3 (FI)
							B14 (FT)
DRS71M4	3.80	0.55	1380	10	1.55	11.7 (9.1)	B3 (FI)
							B14 (FT)
DRE80M4	5	0.75	1435	10	1.68	17.3 (14.3)	B3 (FI)
							B14 (FT)
DRE90M4	7.40	1.10	1420	14	1.45	23.0 (18.4)	B3 (FI)
							B14 (FT)
DRE90L4	10	1.50	1430	20	3.35	26.0 (21.5)	B3 (FI)
							B14 (FT)
DRE100M4	14,7	2.20	1425	28	4,6	32.0 (26.0)	B3 (FI)
							B5 (FF)
DRE100LC4	19,7	3.00	1455	40	6,2	37.0 (31.0)	B3 (FI)
							B5 (FF)
DRE132S4	26	4.00	1460	55	8	55.0 (46.5)	B3 (FI)
							B5 (FF)

<sup>1)</sup> Standard motors = brake motors. The values in brackets refer to motors without brake.

<sup>2)</sup> Additional motor sizes and types upon request.

Dimensions														
Size	Dimensions [mm]													
	C	H	TK	Z	D1	L1	D2	L2	L <sup>1)</sup>	LB <sup>1)</sup>	LC <sup>1)</sup>	A	B	D
DRS71S4	-	71	-	-	14	30	11	25	296 (228)	264 (196)	321 (253)	90	112	75
	120	-	100	80						266 (198)		-	-	-
DRS71M4	-	71	-	-	19	40	11	25	331 (263)	289 (221)	356 (288)	100	125	90
	120	-	100	80						291 (223)		-	-	-
DRE80M4	-	80	-	-	19	40	14	32	393 (312)	351 (270)	425 (344)	100	125	90
	120	-	100	80						353 (272)		-	-	-
DRE90M4	-	90	-	-	24	50	14	32	409 (316)	357 (264)	441 (348)	125	140	106
	160	-	130	110						359 (272)		-	-	-
DRE90L4	-	90	-	-	24	50	14	32	429 (336)	377 (284)	461 (368)	125	140	106
	160	-	130	110						379 (336)		-	-	-
DRE100M4	-	100	-	-	28	60	14	32	469 (376)	407 (314)	501 (408)	140	160	123
	200	-	165	130						409 (316)		-	-	-
DRE100LC4	-	100	-	-	28	60	14	32	499 (406)	437 (344)	531 (438)	140	160	123
	200	-	165	130						439 (346)		-	-	-
DRE132S4	-	112	-	-	28	60	19	43,5	559 (447)	497 (385)	602.5 (490.5)	140	190	130
	250	-	215	180						499 (387)		-	-	-

## Drive Technology

### Servo motors AKM

Brushless AKM Servo motor with IEC flange, plain shaft, angular and rotatable connectors, 24 volt holding brake. Resolver, standard protection class IP65.



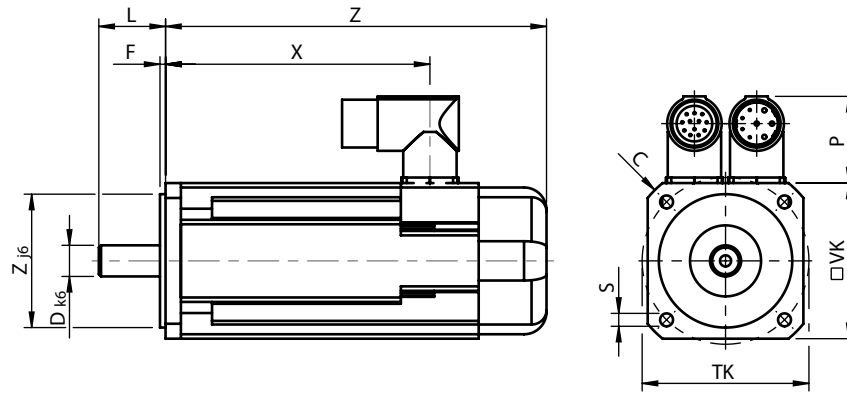
Specifications																																																																																																																																						
Size	Nominal torque $M_0$ [Nm]	Stall torque $M_0$ [Nm]	Brake torque $M_{BR}$ [Nm]	Nominal current $I_{0,rms}$ [A]	Voltage $U_n$ [V AC]	Nominal speed $n_n$ [RPM]	Input voltage brake $U_{BR}$ [VDC]	Weight [kg]																																																																																																																														
AKM22C	0.78	0.84	1.42	1.39	230	3500	24 ±10%	1.37																																																																																																																														
	0.68				400	8000			AKM24C	1.32	1.38	1.42	1.42	230	2000	24 ±10%	1.93	1.25	400	4500	AKM32C	1.95	2.00	2.50	1.44	230	1500	24 ±10%	2.58	1.86	400	3000	AKM42E	3.12	3.42	6.00	2.74	230	1800	24 ±10%	4.02	2.81	400	3500	AKM44G	4.90	5.88	6.00	5.00	230	2000	24 ±10%	3.33	3.76	400	4000	AKM52K	6.80	8.60	14.50	9.30	230	3000	24 ±10%	6.90	3.90	400	5500	AKM53K	10.10	11.60	14.50	9.40	230	2000	24 ±10%	10.20	7.65	400	4000	AKM63M	14.30	17.00	25.00	13.80	230	2000	24 ±10%	26.00	11.30	400	4000	AKM65N	19.80	24.30	25.00	17.80	230	2000	24 ±10%	17.40	16.00	400	3500	AKM72P	23.80	29.40	53.00	18.70	230	1800	24 ±10%	21.80	20.10	400	3000	AKM73M	—	42.00	53.00	13.60	—	—	24 ±10%	28.80	33.80	400	1500	AKM74P	—	52.50	53.00	15.50	—
AKM24C	1.32	1.38	1.42	1.42	230	2000	24 ±10%	1.93																																																																																																																														
	1.25				400	4500			AKM32C	1.95	2.00	2.50	1.44	230	1500	24 ±10%	2.58	1.86	400	3000	AKM42E	3.12	3.42	6.00	2.74	230	1800	24 ±10%	4.02	2.81	400	3500	AKM44G	4.90	5.88	6.00	5.00	230	2000	24 ±10%	3.33	3.76	400	4000	AKM52K	6.80	8.60	14.50	9.30	230	3000	24 ±10%	6.90	3.90	400	5500	AKM53K	10.10	11.60	14.50	9.40	230	2000	24 ±10%	10.20	7.65	400	4000	AKM63M	14.30	17.00	25.00	13.80	230	2000	24 ±10%	26.00	11.30	400	4000	AKM65N	19.80	24.30	25.00	17.80	230	2000	24 ±10%	17.40	16.00	400	3500	AKM72P	23.80	29.40	53.00	18.70	230	1800	24 ±10%	21.80	20.10	400	3000	AKM73M	—	42.00	53.00	13.60	—	—	24 ±10%	28.80	33.80	400	1500	AKM74P	—	52.50	53.00	15.50	—	—	24 ±10%	35.70	39.60	400	1800						
AKM32C	1.95	2.00	2.50	1.44	230	1500	24 ±10%	2.58																																																																																																																														
	1.86				400	3000			AKM42E	3.12	3.42	6.00	2.74	230	1800	24 ±10%	4.02	2.81	400	3500	AKM44G	4.90	5.88	6.00	5.00	230	2000	24 ±10%	3.33	3.76	400	4000	AKM52K	6.80	8.60	14.50	9.30	230	3000	24 ±10%	6.90	3.90	400	5500	AKM53K	10.10	11.60	14.50	9.40	230	2000	24 ±10%	10.20	7.65	400	4000	AKM63M	14.30	17.00	25.00	13.80	230	2000	24 ±10%	26.00	11.30	400	4000	AKM65N	19.80	24.30	25.00	17.80	230	2000	24 ±10%	17.40	16.00	400	3500	AKM72P	23.80	29.40	53.00	18.70	230	1800	24 ±10%	21.80	20.10	400	3000	AKM73M	—	42.00	53.00	13.60	—	—	24 ±10%	28.80	33.80	400	1500	AKM74P	—	52.50	53.00	15.50	—	—	24 ±10%	35.70	39.60	400	1800																		
AKM42E	3.12	3.42	6.00	2.74	230	1800	24 ±10%	4.02																																																																																																																														
	2.81				400	3500			AKM44G	4.90	5.88	6.00	5.00	230	2000	24 ±10%	3.33	3.76	400	4000	AKM52K	6.80	8.60	14.50	9.30	230	3000	24 ±10%	6.90	3.90	400	5500	AKM53K	10.10	11.60	14.50	9.40	230	2000	24 ±10%	10.20	7.65	400	4000	AKM63M	14.30	17.00	25.00	13.80	230	2000	24 ±10%	26.00	11.30	400	4000	AKM65N	19.80	24.30	25.00	17.80	230	2000	24 ±10%	17.40	16.00	400	3500	AKM72P	23.80	29.40	53.00	18.70	230	1800	24 ±10%	21.80	20.10	400	3000	AKM73M	—	42.00	53.00	13.60	—	—	24 ±10%	28.80	33.80	400	1500	AKM74P	—	52.50	53.00	15.50	—	—	24 ±10%	35.70	39.60	400	1800																														
AKM44G	4.90	5.88	6.00	5.00	230	2000	24 ±10%	3.33																																																																																																																														
	3.76				400	4000			AKM52K	6.80	8.60	14.50	9.30	230	3000	24 ±10%	6.90	3.90	400	5500	AKM53K	10.10	11.60	14.50	9.40	230	2000	24 ±10%	10.20	7.65	400	4000	AKM63M	14.30	17.00	25.00	13.80	230	2000	24 ±10%	26.00	11.30	400	4000	AKM65N	19.80	24.30	25.00	17.80	230	2000	24 ±10%	17.40	16.00	400	3500	AKM72P	23.80	29.40	53.00	18.70	230	1800	24 ±10%	21.80	20.10	400	3000	AKM73M	—	42.00	53.00	13.60	—	—	24 ±10%	28.80	33.80	400	1500	AKM74P	—	52.50	53.00	15.50	—	—	24 ±10%	35.70	39.60	400	1800																																										
AKM52K	6.80	8.60	14.50	9.30	230	3000	24 ±10%	6.90																																																																																																																														
	3.90				400	5500			AKM53K	10.10	11.60	14.50	9.40	230	2000	24 ±10%	10.20	7.65	400	4000	AKM63M	14.30	17.00	25.00	13.80	230	2000	24 ±10%	26.00	11.30	400	4000	AKM65N	19.80	24.30	25.00	17.80	230	2000	24 ±10%	17.40	16.00	400	3500	AKM72P	23.80	29.40	53.00	18.70	230	1800	24 ±10%	21.80	20.10	400	3000	AKM73M	—	42.00	53.00	13.60	—	—	24 ±10%	28.80	33.80	400	1500	AKM74P	—	52.50	53.00	15.50	—	—	24 ±10%	35.70	39.60	400	1800																																																						
AKM53K	10.10	11.60	14.50	9.40	230	2000	24 ±10%	10.20																																																																																																																														
	7.65				400	4000			AKM63M	14.30	17.00	25.00	13.80	230	2000	24 ±10%	26.00	11.30	400	4000	AKM65N	19.80	24.30	25.00	17.80	230	2000	24 ±10%	17.40	16.00	400	3500	AKM72P	23.80	29.40	53.00	18.70	230	1800	24 ±10%	21.80	20.10	400	3000	AKM73M	—	42.00	53.00	13.60	—	—	24 ±10%	28.80	33.80	400	1500	AKM74P	—	52.50	53.00	15.50	—	—	24 ±10%	35.70	39.60	400	1800																																																																		
AKM63M	14.30	17.00	25.00	13.80	230	2000	24 ±10%	26.00																																																																																																																														
	11.30				400	4000			AKM65N	19.80	24.30	25.00	17.80	230	2000	24 ±10%	17.40	16.00	400	3500	AKM72P	23.80	29.40	53.00	18.70	230	1800	24 ±10%	21.80	20.10	400	3000	AKM73M	—	42.00	53.00	13.60	—	—	24 ±10%	28.80	33.80	400	1500	AKM74P	—	52.50	53.00	15.50	—	—	24 ±10%	35.70	39.60	400	1800																																																																														
AKM65N	19.80	24.30	25.00	17.80	230	2000	24 ±10%	17.40																																																																																																																														
	16.00				400	3500			AKM72P	23.80	29.40	53.00	18.70	230	1800	24 ±10%	21.80	20.10	400	3000	AKM73M	—	42.00	53.00	13.60	—	—	24 ±10%	28.80	33.80	400	1500	AKM74P	—	52.50	53.00	15.50	—	—	24 ±10%	35.70	39.60	400	1800																																																																																										
AKM72P	23.80	29.40	53.00	18.70	230	1800	24 ±10%	21.80																																																																																																																														
	20.10				400	3000			AKM73M	—	42.00	53.00	13.60	—	—	24 ±10%	28.80	33.80	400	1500	AKM74P	—	52.50	53.00	15.50	—	—	24 ±10%	35.70	39.60	400	1800																																																																																																						
AKM73M	—	42.00	53.00	13.60	—	—	24 ±10%	28.80																																																																																																																														
	33.80				400	1500			AKM74P	—	52.50	53.00	15.50	—	—	24 ±10%	35.70	39.60	400	1800																																																																																																																		
AKM74P	—	52.50	53.00	15.50	—	—	24 ±10%	35.70																																																																																																																														
	39.60				400	1800																																																																																																																																

<sup>1)</sup> Standard motors = brake motors



# Drive Technology

## Servo motors AKM



Dimensions														
Size	Servo amplifier Servostar	Motor cable with shielded wires	Resolver cable with shielded wires	Dimensions [mm]										
				VK	C	TK	Z	D	L	F	Z	X	S	P
AKM22C	341	4 x 1 + 2 x 0,75 mm <sup>2</sup>	4 x 2 x 0,25 mm <sup>2</sup>	58	40	63	40	9	20	2,5	148,5	95,1	Ø4,8	39
AKM24C	341	4 x 1 + 2 x 0,75 mm <sup>2</sup>	4 x 2 x 0,25 mm <sup>2</sup>	58	40	63	40	9	20	2,5	186,5	133,1	Ø4,8	39
AKM32C	341	4 x 1 + 2 x 0,75 mm <sup>2</sup>	4 x 2 x 0,25 mm <sup>2</sup>	70	90	75	60	14	30	2,5	171,3	118,9	Ø5,8	39
AKM42E	343	4 x 1 + 2 x 0,75 mm <sup>2</sup>	4 x 2 x 0,25 mm <sup>2</sup>	84	-	100	80	19	40	3	181,3	125,5	Ø7	39
AKM44G	346	4 x 1 + 2 x 0,75 mm <sup>2</sup>	4 x 2 x 0,25 mm <sup>2</sup>	84	-	100	80	19	40	3	239,3	183,4	Ø7	39
AKM52K	S712	4 x 2,5 + 2 x 1 mm <sup>2</sup>	4 x 2 x 0,25 mm <sup>2</sup>	108	-	130	110	24	50	3	203,5	136,3	Ø9	39
AKM53K	S712	4 x 2,5 + 2 x 1 mm <sup>2</sup>	4 x 2 x 0,25 mm <sup>2</sup>	108	-	130	110	24	50	3	234,5	167,3	Ø9	39
AKM63M	S724	4 x 2,5 + 2 x 1 mm <sup>2</sup>	4 x 2 x 0,25 mm <sup>2</sup>	138	-	135	130	32	58	3,5	225,7	155,5	Ø11	39
AKM65N	S724	4 x 2,5 + 2 x 1 mm <sup>2</sup>	4 x 2 x 0,25 mm <sup>2</sup>	138	-	135	130	32	58	3,5	275,7	205,5	Ø11	39
AKM72P	S724	4 x 2,5 + 2 x 1 mm <sup>2</sup>	4 x 2 x 0,25 mm <sup>2</sup>	188	-	215	180	38	80	4	234,5	164,5	Ø13,5	39
AKM73M	S724	4 x 2,5 + 2 x 1 mm <sup>2</sup>	4 x 2 x 0,25 mm <sup>2</sup>	188	-	215	180	38	80	4	268,5	198,5	Ø13,5	39
AKM74P	S724	4 x 2,5 + 2 x 1 mm <sup>2</sup>	4 x 2 x 0,25 mm <sup>2</sup>	188	-	215	180	38	80	4	302,5	232,5	Ø13,5	39